



833.89.070	833.89.074	833.89.106
833.89.071	833.89.044	833.89.107
833.89.072	833.89.045	833.89.108
833.89.073	833.89.046	


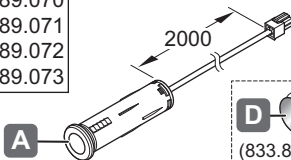


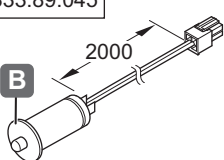


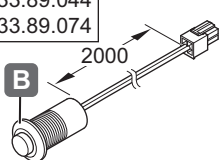
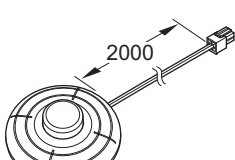
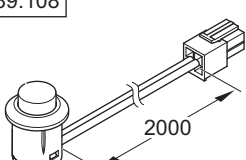
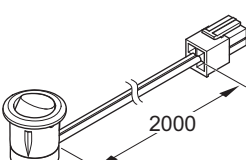
732.28.403

12 V System	24 V System	350 mA System	700 mA System		d (mm)	T_A		
833.89.070					0-80	-20 °C – +35 °C -4 °F – +95 °F	Ø 16 x 48.5	<div style="border: 1px solid black; padding: 2px; display: inline-block;">Loox 12 V</div> <div style="border: 1px solid black; padding: 2px; display: inline-block;">Loox 24 V</div> <div style="border: 1px solid black; padding: 2px; display: inline-block;">Loox 350 mA</div> <div style="border: 1px solid black; padding: 2px; display: inline-block;">Loox 700 mA</div>
833.89.071					0-80			
833.89.072					0-3000			
833.89.073					0-80			
833.89.044								
833.89.074								
833.89.107								
833.89.108								
833.89.045				-	-		Ø 15 x 28	
833.89.046							Ø 70 x 28	
833.89.106							Ø 15 x 17.7	


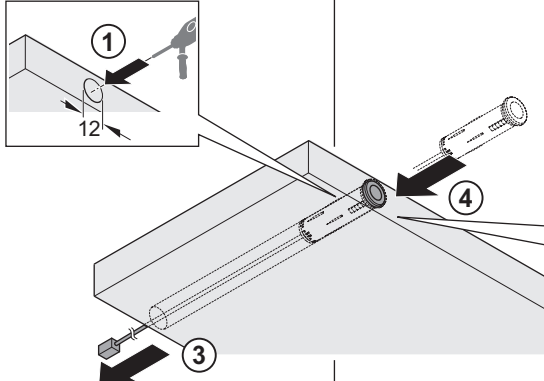


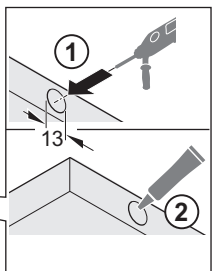
HDE 01.04.2022

i




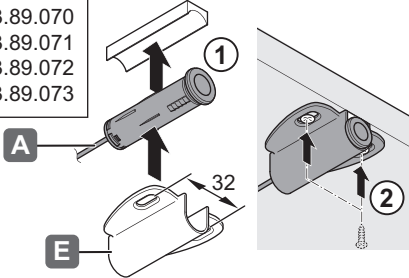
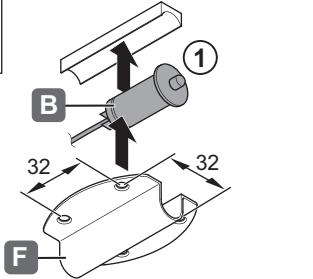
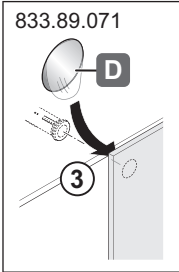
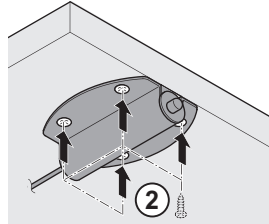
100 - 240 V~

 <p>833.89.070 833.89.071 833.89.072 833.89.073</p>  <p>A</p>  <p>D Ø16 (833.89.071)</p> <p>+</p>  <p>E 2x</p> <p>833.89.090</p>	<p>833.89.045</p>  <p>B</p> <p>+</p>  <p>F 4x</p> <p>833.89.048 833.89.049</p>	 <p>833.89.044 833.89.074</p>  <p>B</p> <p>2000</p>
<p>833.89.046</p>  <p>C</p>	<p>833.89.107 833.89.108</p>  <p>G</p>	<p>833.89.106</p>  <p>G</p>





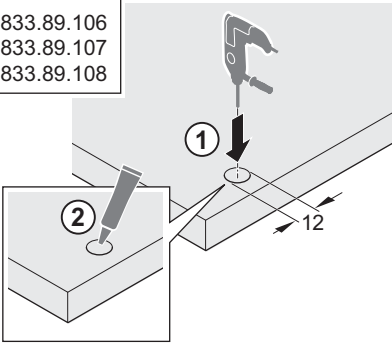
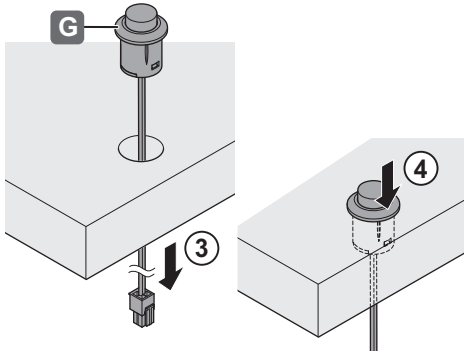
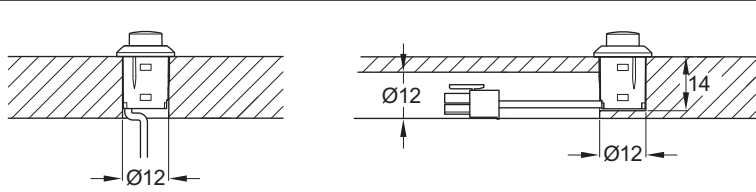
732.28.403

<p>1</p>  <p>12 mm</p> <p>833.89.070 833.89.071 833.89.072 833.89.073</p>  <p>1</p> <p>12</p> <p>3</p>	 <p>13 mm</p>  <p>833.89.044 833.89.045 833.89.074</p>  <p>1</p> <p>13</p> <p>2</p> <p>4</p>
---	---

HDE 01.04.2022

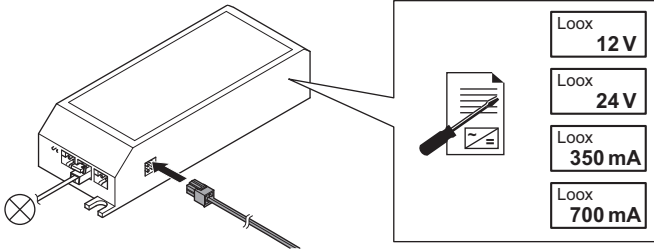
1			
<p>833.89.070 833.89.071 833.89.072 833.89.073</p>		<p>833.89.044 833.89.045 833.89.074</p>	
			
<p>833.89.071</p> 			

732.28.403

1				
<p>833.89.106 833.89.107 833.89.108</p>				
				
<p>i</p> 				

HDE 01.04.2022

2



732.28.403

HDE 01.04.2022